

LGX Core-NC210: i5 NUC Industrial Computer



LGX Core-NC210 Features

- 2.80 GHz Intel Dual Core i5
- Intel QS77 Express Chipset
- Intel HD Graphics 4000
- Intel's Next Unit of Computing
- System consumes less than 30W
- 1 HDMI, 1 USB 3.0 (Front), and 2 USB 2.0 (Back)
- Optimized cooling keeps the system cool and quiet
- Front power button with LED
- Dual Antenna for Wi-Fi/Bluetooth (Optional)
- Ultra-compact

US Office

EU Office

LGX Core-NC210: i5 NUC Industrial Computer



ENERGY-EFFICIENT ADVANCED PROCESSING

With an 2.80 GHz Intel Dual Core i5 processor and the QS77 chipset, you can forgo the typical tradeoff between computer size and speed. The low TDP (Thermal Design Power) processor allows the system to run at under 30W, staying cool, ensuring stability, maximum uptime, and longevity.



ULTRA-COMPACT NUC FORM FACTOR

Measuring 115 x 37 x 108 mm (4.5" x 1.5" x 4.25"). Based on the Intel Next Unit of Computing platform, the compact size allows discreet placement of computing power in space-constrained environments.



MULTIMEDIA-CAPABLE WITH ESSENTIAL I/O

Featuring onboard Intel HD Graphics 4000, offering 1 USB 3.0 port, 2 USB 2.0 ports, 1 HDMI port, 2 Mini-Display ports, wireless and ethernet connectivity, the Core-NC210 can power HD video and dual displays, making the system ideal for graphic-intensive applications such as digital signage.



LOW NOISE

The Core-NC210 is designed with a single centrifugal side blower fan that draws cool air in through the top and sides of the case and exhausts it out the back. This results in a low noise system while maintaining an optimal temperature. The rubber mounting feet keep noise to a minimum when being used in a desktop environment.

LGX Core-NC210: i5 NUC Industrial Computer



DURABLE, MOUNTABLE, INDUSTRIAL

Enclosed in a high-quality plated steel chassis, this PC is ideal for environments requiring durability and a discrete, appliance-like look and feel. With optional wall, DIN rail, and VESA MISD-75 mounting, the unit is easy to install securely.



VESA MISD-75

The Core-NC210 can be discreetly mounted to the back of displays for digital signage applications by using our optional VESA screw kit.



CUSTOMIZABLE/BRANDABLE

“Designed to be redesigned” by our in-house engineering group, the enclosure can be physically reconfigured and branded to your specific requirements without from-scratch development fees and timeframes. Our control over the design and manufacturing also allow us to manage the lifecycle and revision history, ensuring a reliable, consistent solution.



MINIMAL EMISSIONS

The Core-NC210 has dual right angle folds along every interfacing edge where the case top and bottom meet to limit EMI emissions. We also add EMI gaskets on the front and back panel I/O to protect the system from harsh EMI environments.

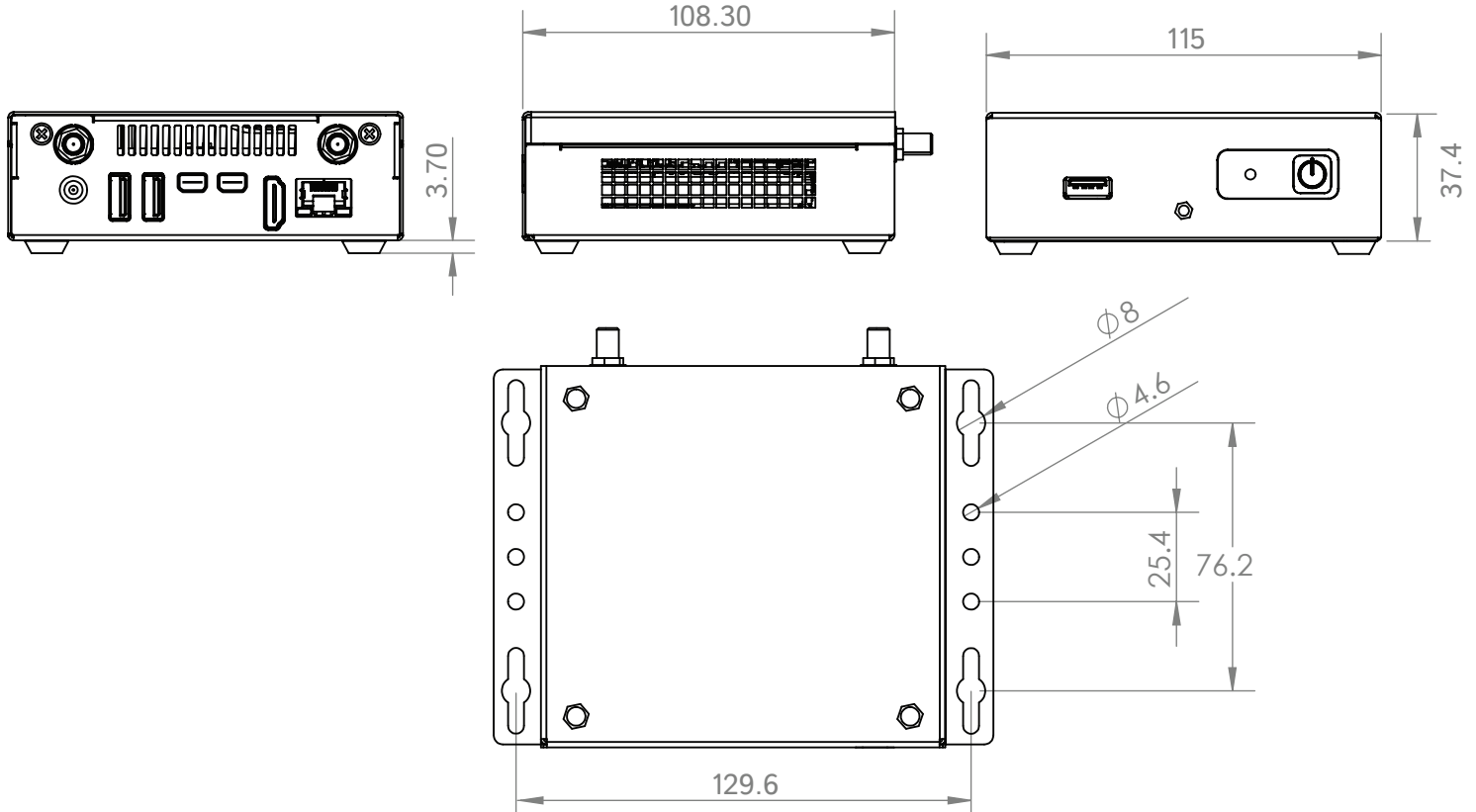
LGX Core-NC210: i5 NUC Industrial Computer

SPECIFICATIONS

Processor	2.80 GHz Intel Core i5-3427U
Chipset	Intel QS77 Express
System Memory	2 x DDR3 1600/1333/1066 SO-DIMM, Up to 16 GB of memory
Graphics	Intel HD Graphics 4000
Expansion Slots	PCI Express Mini Card (half height)
Onboard Serial ATA	Internal mSATA port
Onboard USB	1 x USB 3.0 port 2 x USB 2.0 ports
Onboard LAN	Intel 82579V 10/100/1000
Onboard Audio	Intel High Definition Audio via HDMI v1.4a interfaces
Front Access	Power button, 1 x USB 3.0 port
Back Panel I/O	2 x USB 2.0, 1 x HDMI 1.4a, 2 x Mini-DisplayPorts, 1 x LAN, 1 x 19V DC input jack
Onboard I/O Connectors	1 x Internal DC power connector

BIOS	Intel BIOS, Support for Advanced Configuration and Power Interface (ACPI), Plug and Play and System Management BIOS (SMBIOS)
System Monitoring	Fan speed control, Voltage range monitoring, thermal range monitoring, fan activity, and one processor fan header.
Operating Temp.	0°C~55°C
Dimensions (WxHxD)	115 x 37.4 x 108.3 mm (4.5" x 1.47" x 4.26")
Weight	1.03 lbs/0.47 Kg
Operating System	Windows 7, Windows 8, Ubuntu
Power	DC 19 V (5.5 x 2.5 mm jack)
Mounting	Wall mount, DIN rail mounting VESA MISD-75
Includes	AC Adapter, Adhesive rubber feet

DIMENSIONS



US Office

Phone: +1 802 861 2300
Email: info@logicsupply.com
www.logicsupply.com

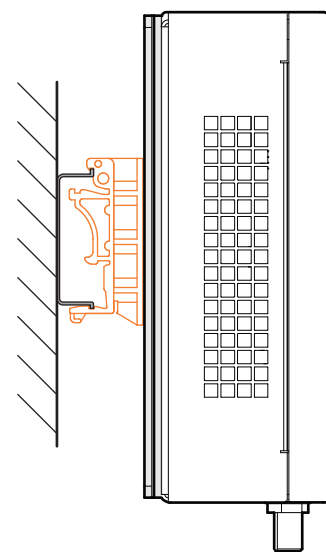
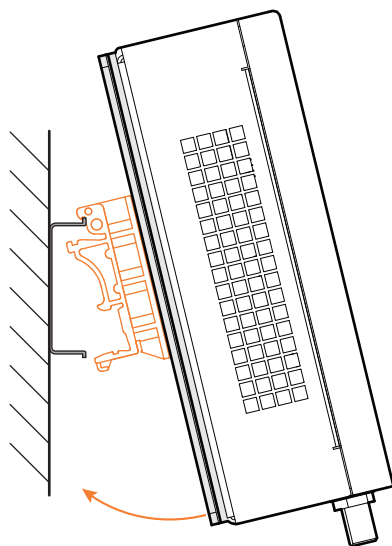
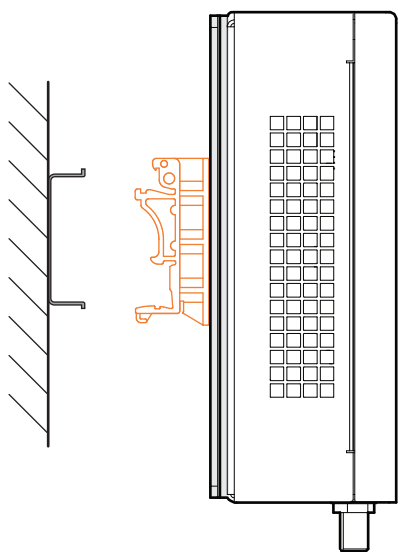
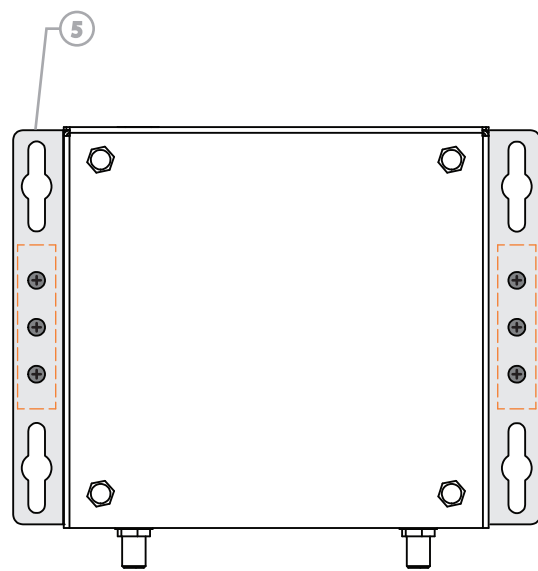
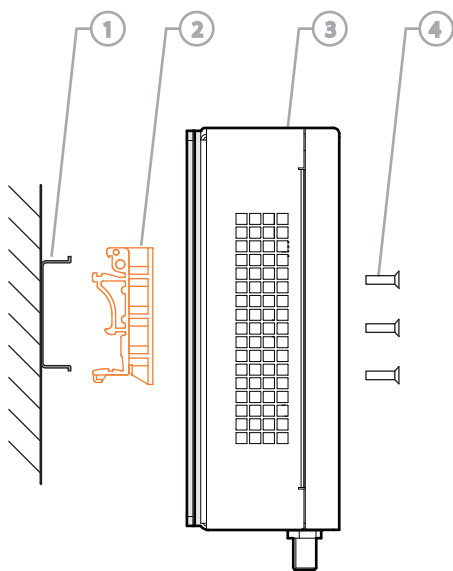
EU Office

Phone: +31 85 2733760
Email: info@logicsupply.eu
www.logicsupply.eu

LGX Core-NC210: i5 NUC Industrial Computer

DIN Mounting Guide

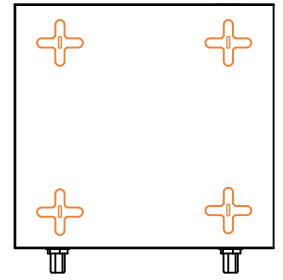
- ① DIN Rail
- ② DIN Clip (Product Number: DINClip01)
- ③ LGX Core-NC210 (Product Number: Core-NC210)
- ④ 6x M3x0.5 or 4-40 screws
- ⑤ Mounting Brackets (Product Number: WDMK-1040)



LGX Core-NC210: i5 NUC Industrial Computer

VESA Mounting Guide

- 1 Display with VESA-75 Mounting Holes
- 2 VESA Mounting Screws (Product Number: VESASK-M350)
- 3 LGX Core-NC210 (Product Number: Core-NC210)



Four VESA-75 Mounting Punchouts

