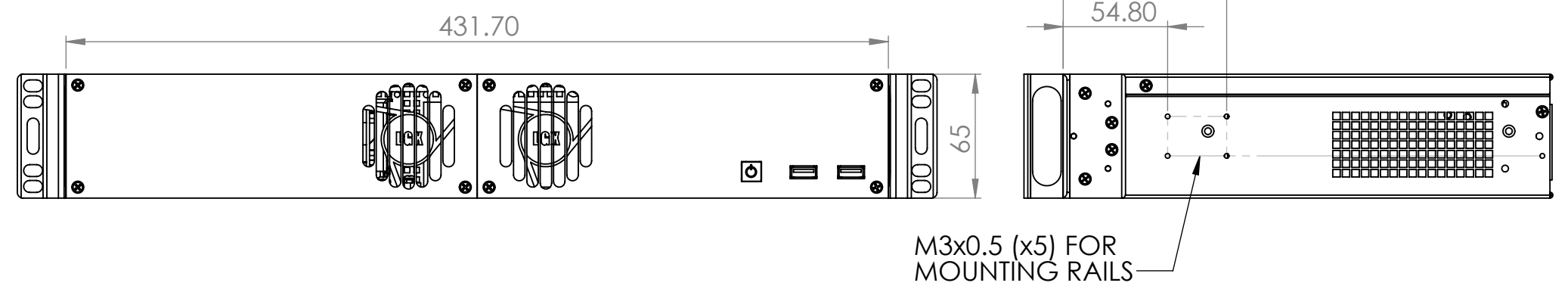
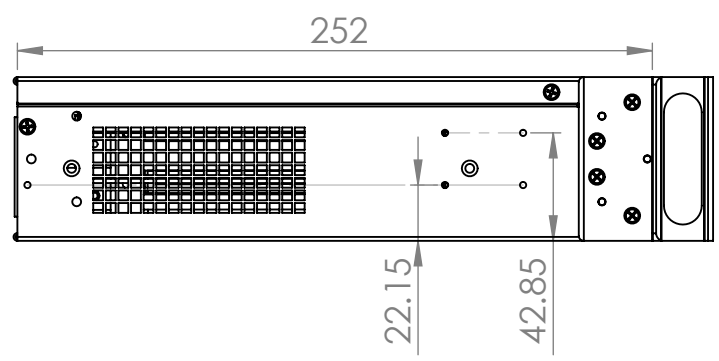
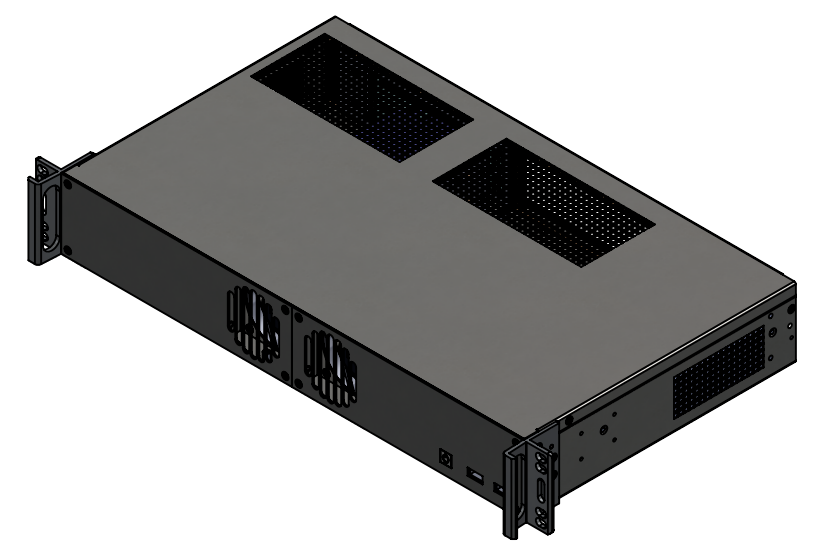



8 7 6 5 4 3 2 1

D
C
B
A

D
C
B
A



PROPRIETARY AND CONFIDENTIAL
 THE INFORMATION CONTAINED IN THIS DRAWING IS THE SOLE PROPERTY OF LOGIC SUPPLY. ANY REPRODUCTION IN PART OR AS A WHOLE WITHOUT THE WRITTEN PERMISSION OF LOGIC SUPPLY IS PROHIBITED.

		UNLESS OTHERWISE SPECIFIED:		NAME	DATE	 35 Thompson St S. Burlington, VT 05473 802-861-2300 www.logicsupply.com
		DIMENSIONS AFTER PLATING OR OTHER PROCESS. TOLERANCES TO BE IN INCHES: X.X ± 0.1" X.XX ± 0.01" X.XXX ± 0.005" BEND ± 1 deg		DRAWN	HDB	
		INTERPRET GEOMETRIC TOLERANCING PER:		CHECKED		
		MATERIAL		ENG APPR.		
		FINISH		MFG APPR.		
NEXT ASSY	USED ON			Q.A.		
APPLICATION		DO NOT SCALE DRAWING		COMMENTS:		TITLE:
						MOUNTING, MK150
				SIZE	DWG. NO.	REV
				B		
				SCALE: 1:5	WEIGHT:	SHEET 1 OF 1

8 7 6 5 4 3 2 1