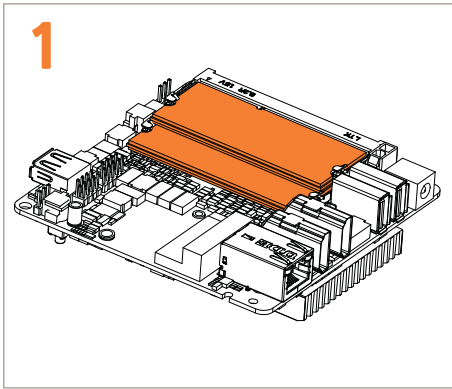
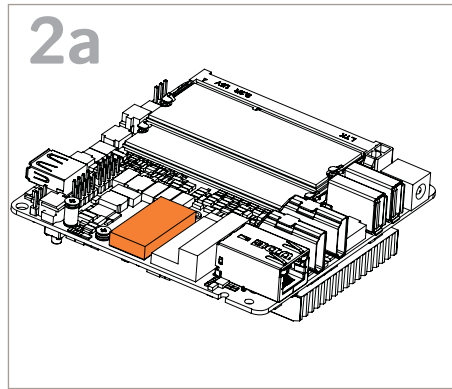


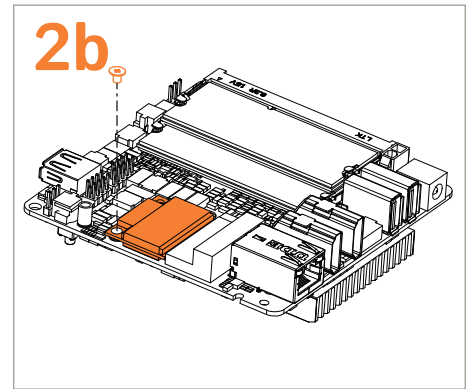
# NC200: Installation Guide



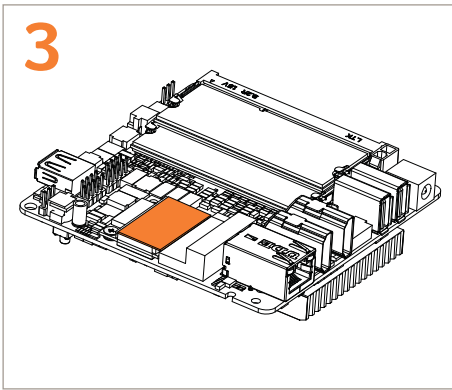
1 Start with the NUC Board and install memory.



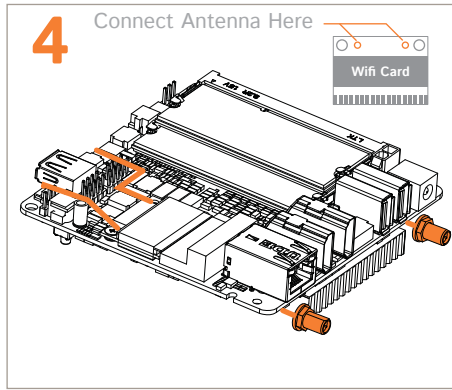
2a *If you are not using a Wifi card, add the rubber pad and move to step 5.*



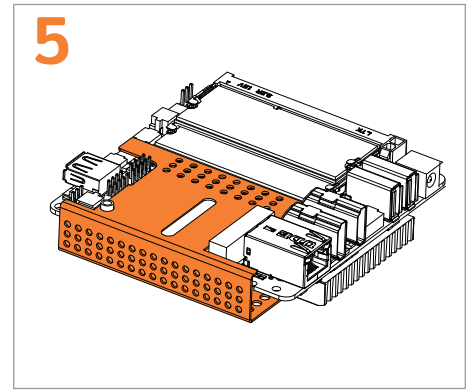
2b Add Wifi Card.



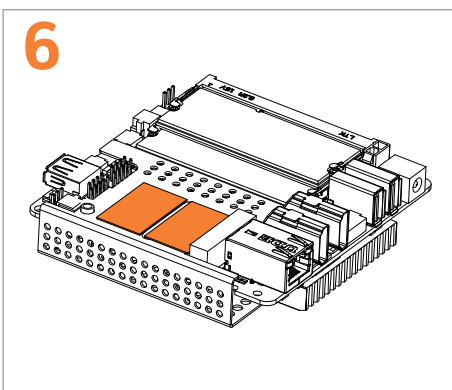
3 Place a thermal pad on top of the Wifi Card.



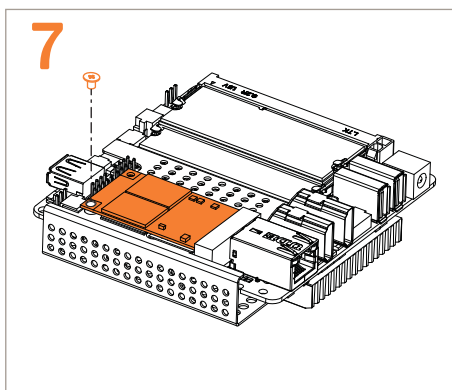
4 Connect Wifi Antenna to the card and route the wires under the board to the antenna jacks, as shown.



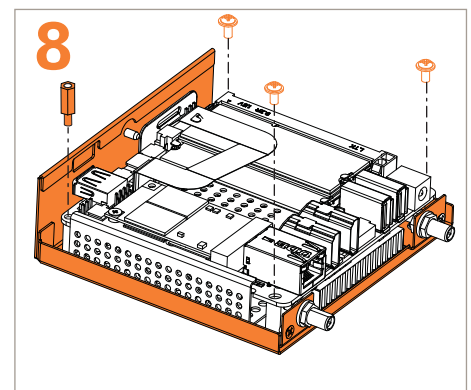
5 Add the heatsink to the board.



6 Place two thermal pads on top of the heatsink, as shown.

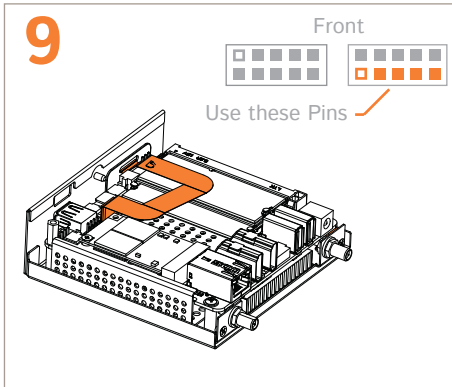


7 Install the mSata SSD.

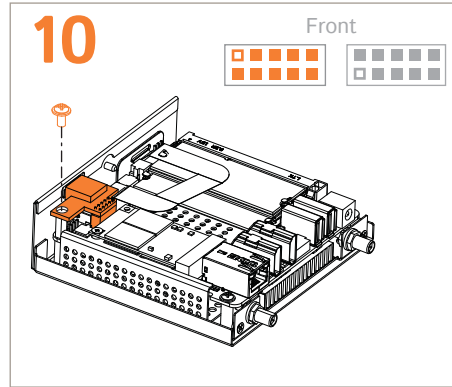


8 Mount the board into the case using the hex standoff and motherboard screws.

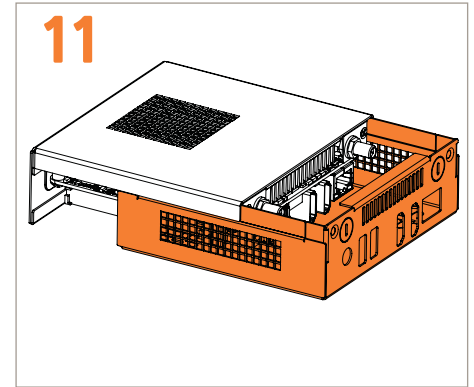
# NC200: Installation Guide



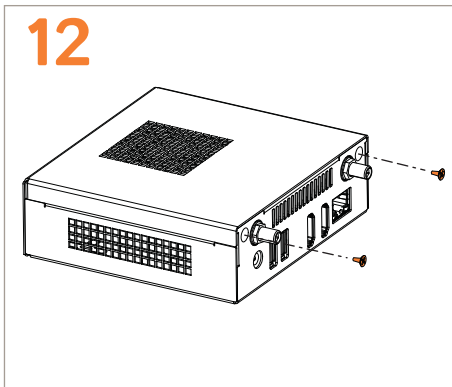
Plug in the power button flex cable.



Add USB Port, ensure correct alignment, and screw in place.



Align the base of the case to the board and top cover.



Slide the case shut and insert the two case screws.