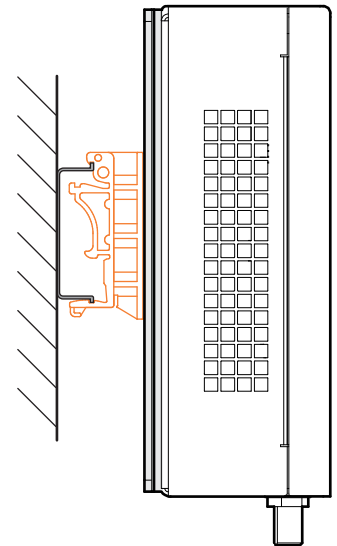
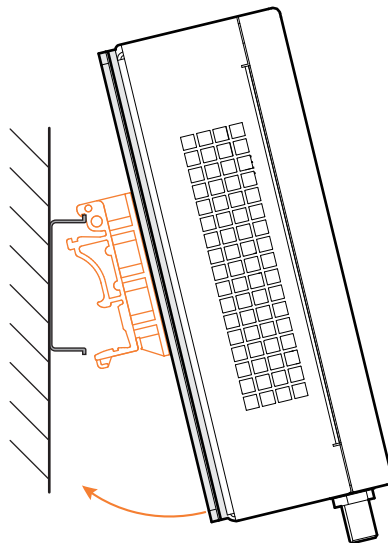
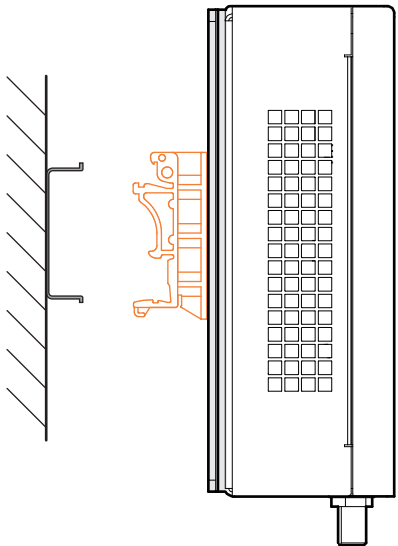
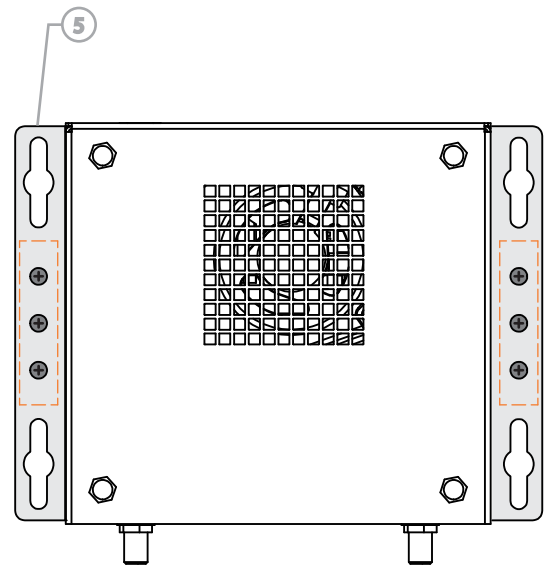
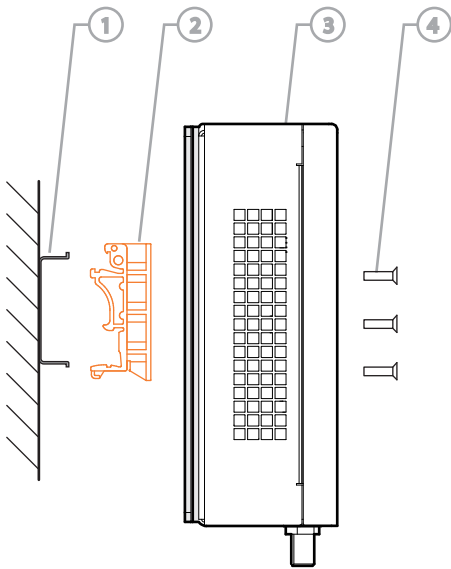


# NC200: Industrial NUC Case

## DIN Mounting Guide

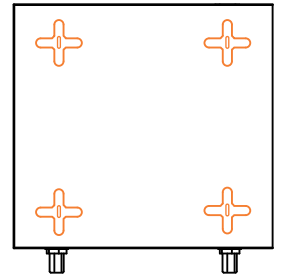
- ① DIN Rail
- ② DIN Clip (Product Number: DINClip01)
- ③ NC200 (Product Number: NC200)
- ④ 6x M3x0.5 or 4-40 screws
- ⑤ Mounting Brackets (Product Number: WDMK-1040)



# NC200: Industrial NUC Case

## VESA Mounting Guide

- 1 Display with VESA-75 Mounting Holes
- 2 VESA Mounting Screws (Product Number: VESASK-M350)
- 3 NC200 (Product Number: NC200)



Four VESA-75 Mounting

