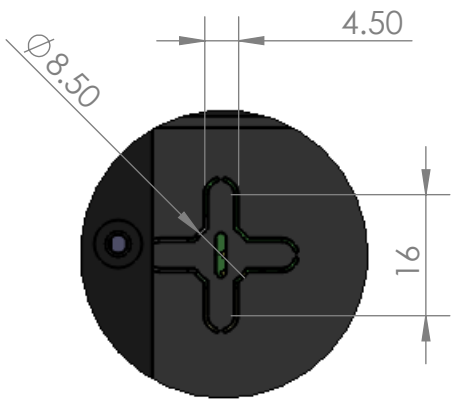
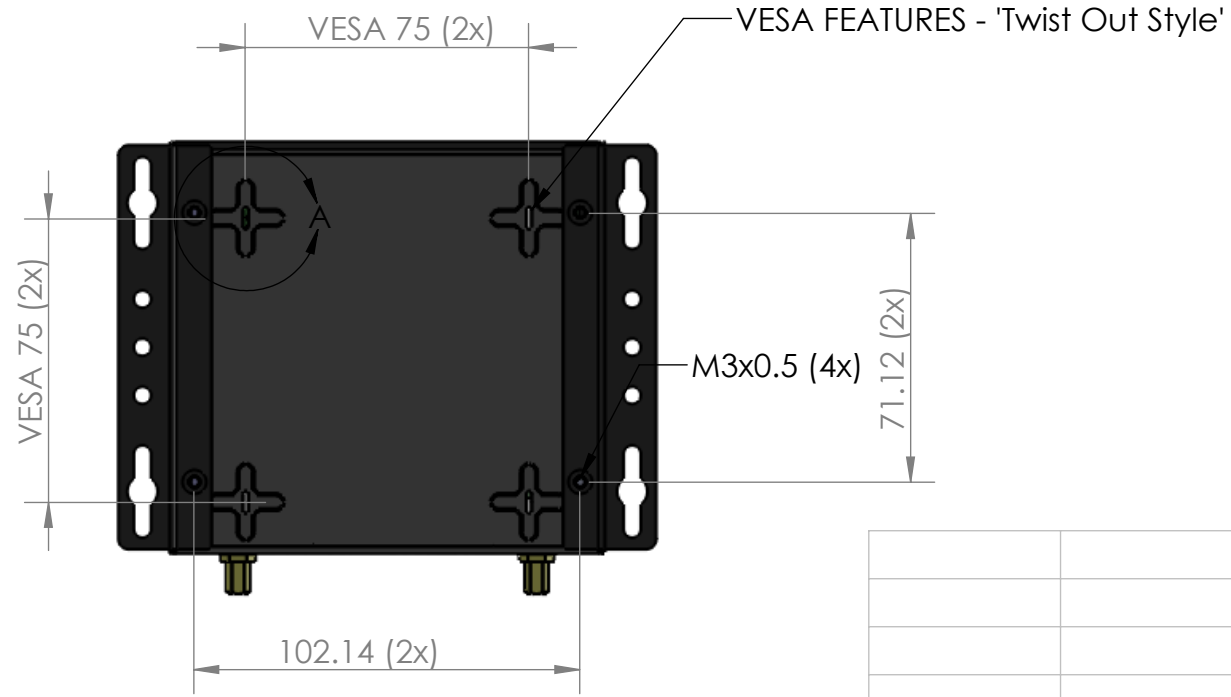
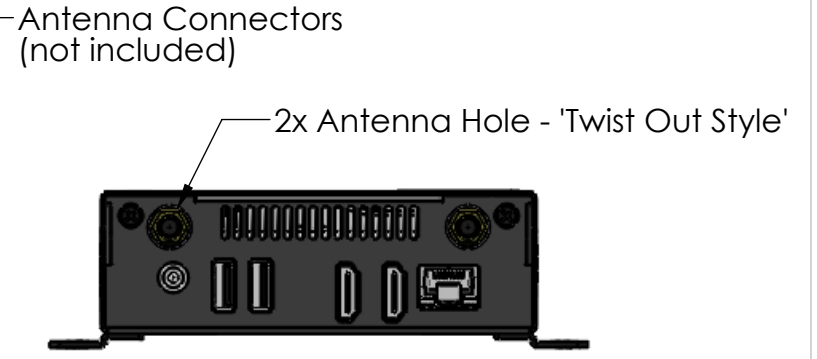
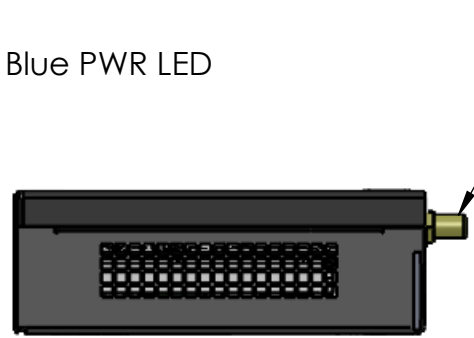
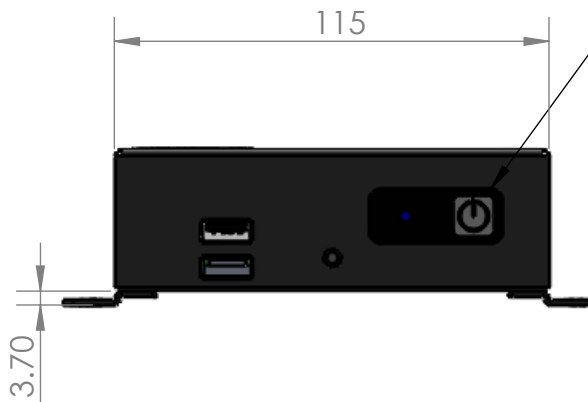
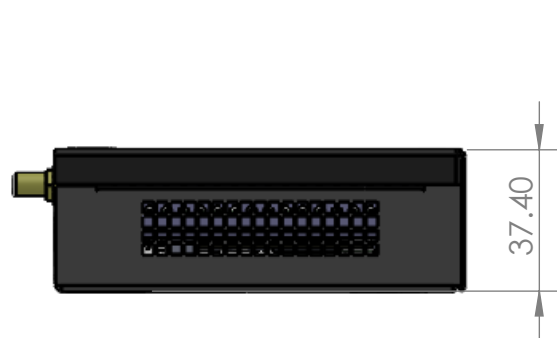
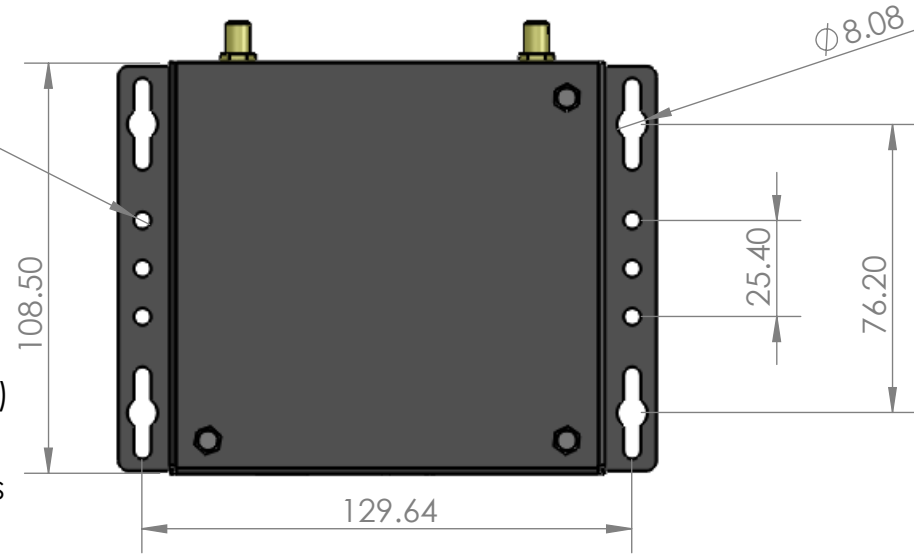



- NOTES:
 1) Metal Brackets are removable
 2) 4 Rubber feet included with kit
 (Feet same height as metal bracket)
 3) Twist out features for
 75mm VESA and 2 SMA antenna ports



DETAIL A
SCALE 1 : 1

PROPRIETARY AND CONFIDENTIAL
 THE INFORMATION CONTAINED IN THIS
 DRAWING IS THE SOLE PROPERTY OF
 LOGIC SUPPLY. ANY
 REPRODUCTION IN PART OR AS A WHOLE
 WITHOUT THE WRITTEN PERMISSION OF
 LOGIC SUPPLY IS PROHIBITED.

UNLESS OTHERWISE SPECIFIED:		NAME	DATE	 35 Thompson St S. Burlington, VT 05473 802-861-2300 www.logic-supply.com
DIMENSIONS AFTER PLATING OR OTHER PROCESS.		DRAWN	R.HILL	
TOLERANCES TO BE IN INCHES:		CHECKED		
X.X ± 0.1"		ENG APPR.		
X.XX ± 0.01"		MFG APPR.		
X.XXX ± 0.005"		Q.A.		
BEND ± 1 deg		COMMENTS:		
INTERPRET GEOMETRIC TOLERANCING PER:		TITLE: Chassis, iCore		
MATERIAL				
NEXT ASSY	USED ON	SIZE B DWG. NO. 1081-0000_r04 REV r04		
APPLICATION		SCALE: 1:2 WEIGHT: SHEET 1 OF 1		
DO NOT SCALE DRAWING				