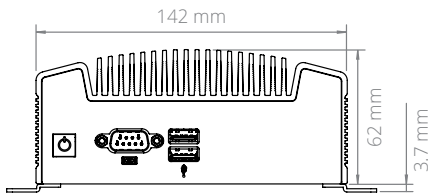


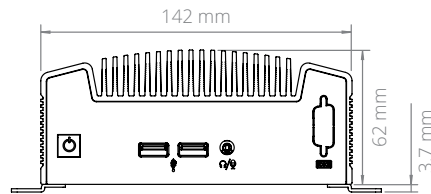
## ML100 Dimensional Drawings

Industrial Fanless NUC Computer

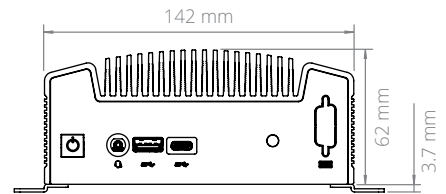
*All measurements in mm*



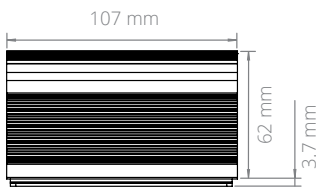
**ML100G-10 FRONT**



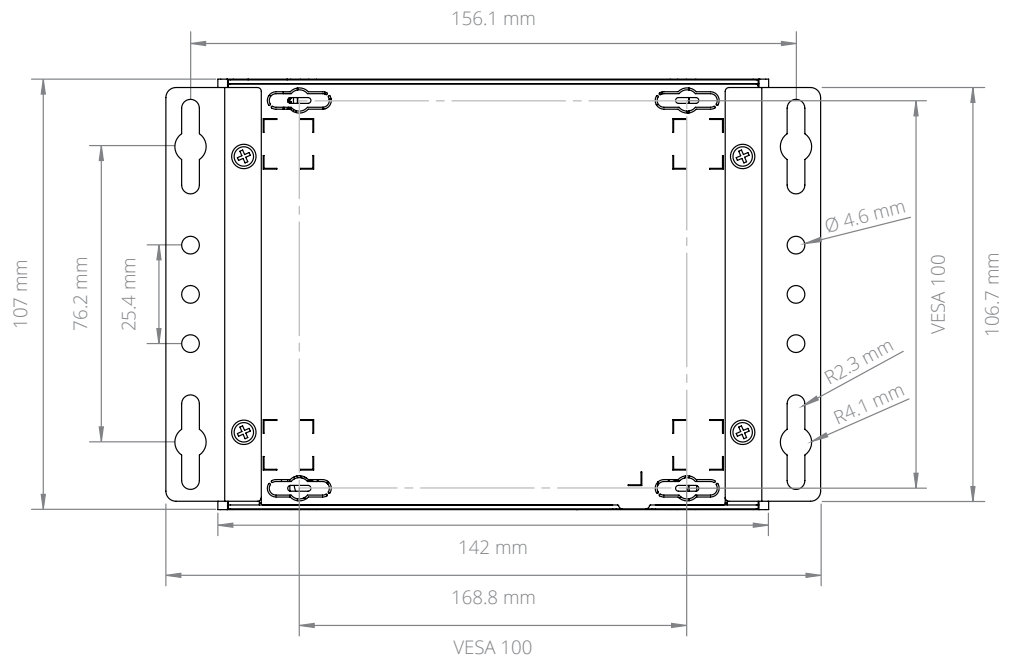
**ML100G-30 FRONT**



**ML100G-50 FRONT**



**SIDE**



**BOTTOM**

