

LGX AU970 Extended Temperature Core i Fanless Computer Platform

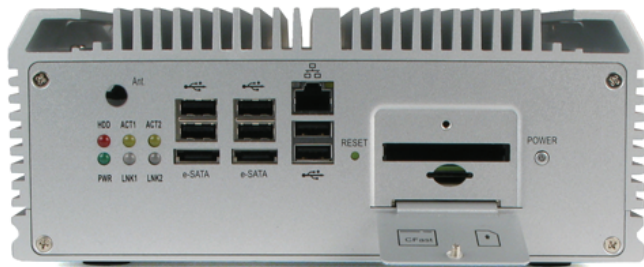
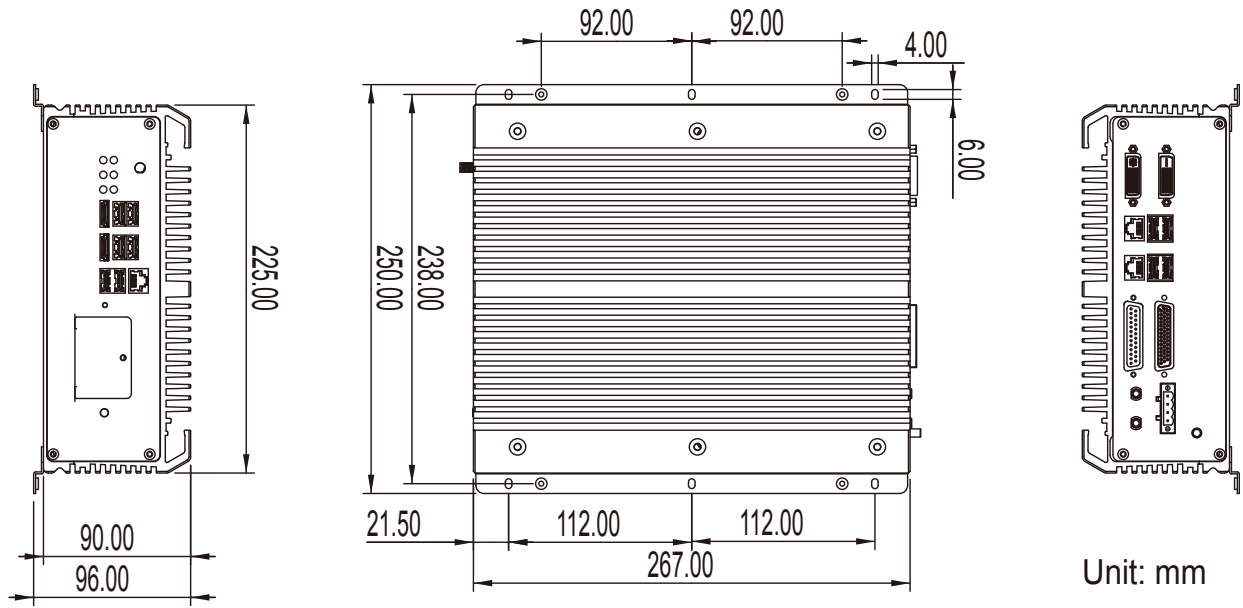
Features

- Intel Core i Mobile and Celeron processors (2nd and 3rd Gen.)
- Wide Range DC Power Input (9 ~ 36V)
- Available with 1 or 2 PCI Express Slots
- Rugged and Fanless

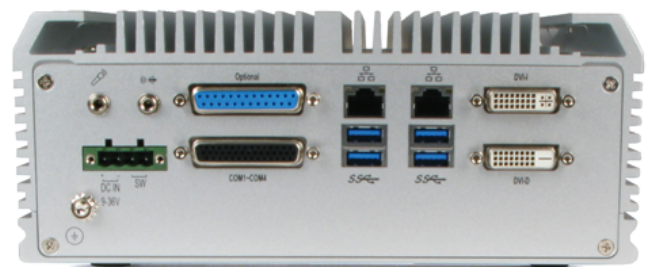


Specifications

Processor	Intel Core i5 / i7 Mobile and Celeron processors (2nd and 3rd Gen.) Socket G2
Chipset	Intel QM77
System Memory	2 204-pin DDR3 SO-DIMM sockets up to 16GB at 1333/1600MHz
Graphics	Integrated Intel HD 4000 Graphics
Expansion Slots	1 PCI Express Mini Card Slot / 1 x CFast socket (outside accessible)
Onboard SATA	2 SATA (6 Gb/sec.), 2 eSATA
Onboard USB	6 USB 2.0, 4 USB 3.0
Onboard LAN	1x WG82579LM with iAMT 2x Intel WG82583V
Hard Disk Drive	2.5" SATA HDD (not included)
Front Access	6 USB 2.0 ports, 1 LAN port, 2 eSATA ports, CFast slot, SIM card slot, Power button
Back Panel I/O	1 DVI-D port, 1 DVI-I port, 2 LAN ports, 4 USB 3.0 ports, Parallel/DIO Port, 4 RS-232 COM with breakout Cable (not included), 2 Audio jacks: line-out, and mic-in, 1 4-pin Phoenix power connector (with remote power switch function)
Dimensions (W x H x D)	225 x 90 x 268 mm (8.86" x 3.54" x 10.6")
Weight	3.9 kg (8.6 lbs)
Operating System	Windows 7, 8, WES7 and Ubuntu LTS
Operating Temperature	-20°C~55°C (when configured with a wide temperature HDD/SSD)
Vibration Tolerance	3 Grms / 5~500Hz / random operation w/ SSD
Shock Tolerance	With HDD: 20 G/11 ms (operating), 40 G/11 ms (non-operating) With SSD: 40 G/11 ms (operating), 60 G/11 ms (non-operating)
Power	DC 9~36 V
Certification	CE, FCC
Recommended Applications	Remote monitoring and surveillance, fleet management, industrial control and automation
Includes	120W AC Adapter, Parallel port header cable, Screws



Front Panel



Back Panel