



# Versatile Mini-ITX.

The MC500 compact Mini-ITX case is versatile, durable, discreet and easy to customize for any application.

[logicsupply.com/mc500/](https://logicsupply.com/mc500/)



## Emissions Compliance

All interfacing edges feature double right-angle folds and minimum vent hole dimensions to minimize the risk of EMI interference.



## Versatile Mounting Options

Plated steel S-Brackets with DIN and bi-directional keyway holes allow this case to be securely mounted in a vast array of environments.

## Optimized Cooling

The MC500 utilizes 50mm Mag-Lev fans allowing them to run at a lower RPM with the same efficiency, reducing system noise.

### US Office

Phone: +1 802 861 2300  
Email: [info@logicsupply.com](mailto:info@logicsupply.com)  
[www.logicsupply.com](http://www.logicsupply.com)

### EU Office

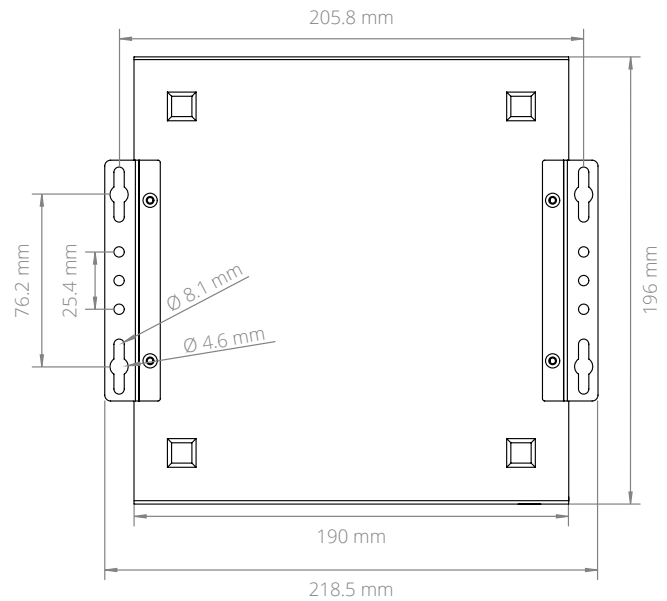
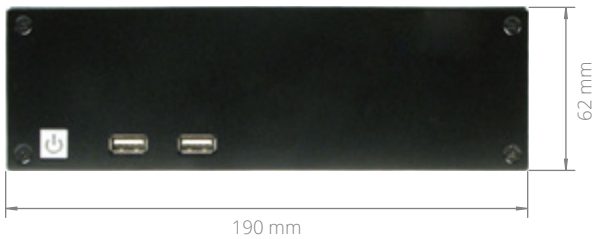
Phone: +31 85 2733760  
Email: [info@logicsupply.eu](mailto:info@logicsupply.eu)  
[www.logicsupply.com](http://www.logicsupply.com)

## Specifications

<b>Case Type</b>	Compact Customizable Modular	<b>Port Punchouts</b>	2 Antenna holes
<b>Case Material</b>	Steel	<b>Mounting</b>	DIN-mount Wall-mount
<b>Dimensions (WxHxD)</b>	190 x 62 x 196 mm	<b>Included Accessories</b>	Screws Adhesive foot pads
<b>Front I/O</b>	2x USB ports Power Button LCD Display (optional with AKLCD-MC500)		

## Dimensional Drawings

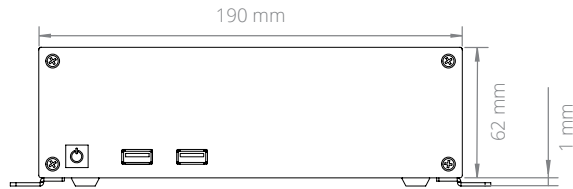
*All measurements in mm*



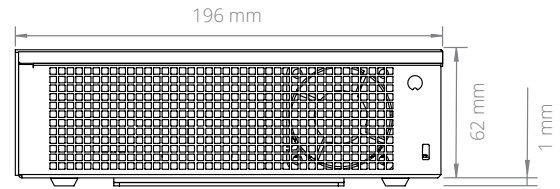
## MC500 Dimensional Drawings

Compact Mini-ITX Case

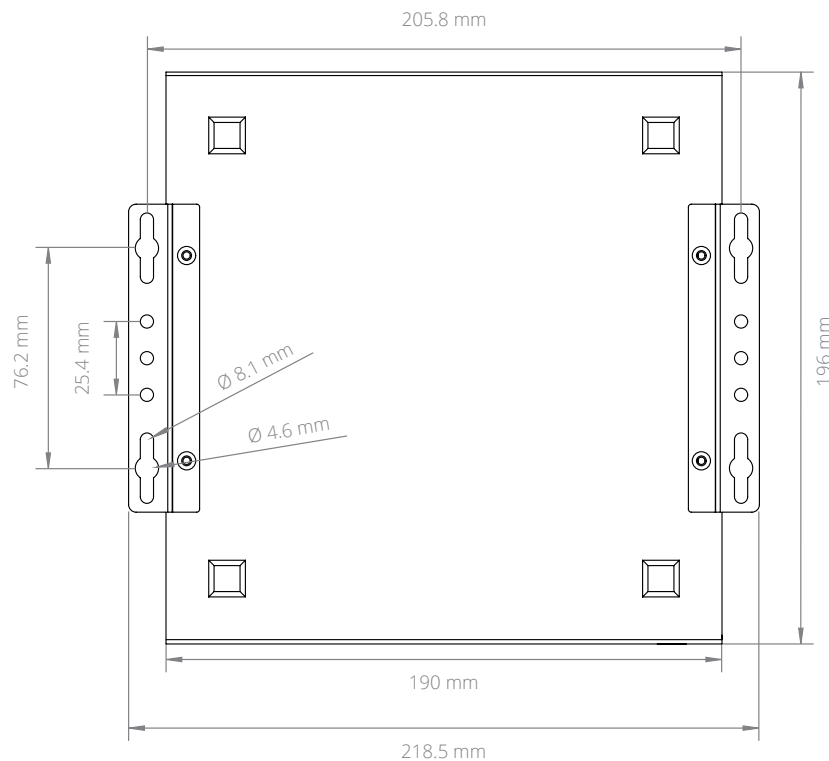
*All measurements in mm*



**FRONT**



**SIDE**



**BOTTOM**



## MC500 DIN Mounting Guide

Compact Mini-ITX Case

*All measurements in mm*

